

## Control Gear for Sunmaster Grow Lamps

### Magnetic Ballast Electrical Data

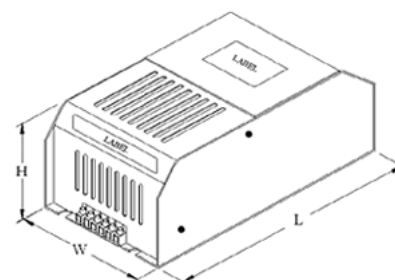
Lamp Watts (W)	600
Lamp Current (A)	MH/HPS-6.2
Input Voltage at 50Hz	230/240
Circuit Watts (W)	665
Running Current (A)	3.3
ta (°C)	40
Thermal Cut-out	Y
Capacitor Value (µf)	60
Capacitor Voltage (V)	250
Energy Efficiency Index (EEI)	A3

### Physical Data

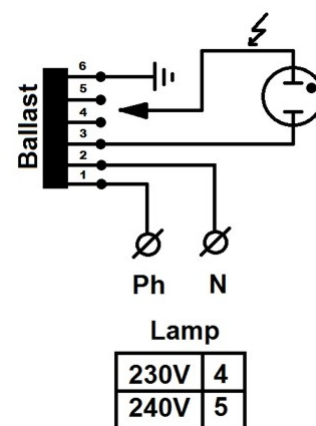
Dimensions (LxWxH mm)	207x108x92
Fixings (mm)	76 x 191 - 201
Weight (kg)	5.25

Revision: 03-01-2014

\*\*See page 2 for product notes\*\*



Ballast Diagram





Product Code: CBD602232DU

## Control Gear for Sunmaster Grow Lamps

**Notes:**

THE UNIT CONSISTS OF BALLAST/IGNITOR AND CAPACITOR